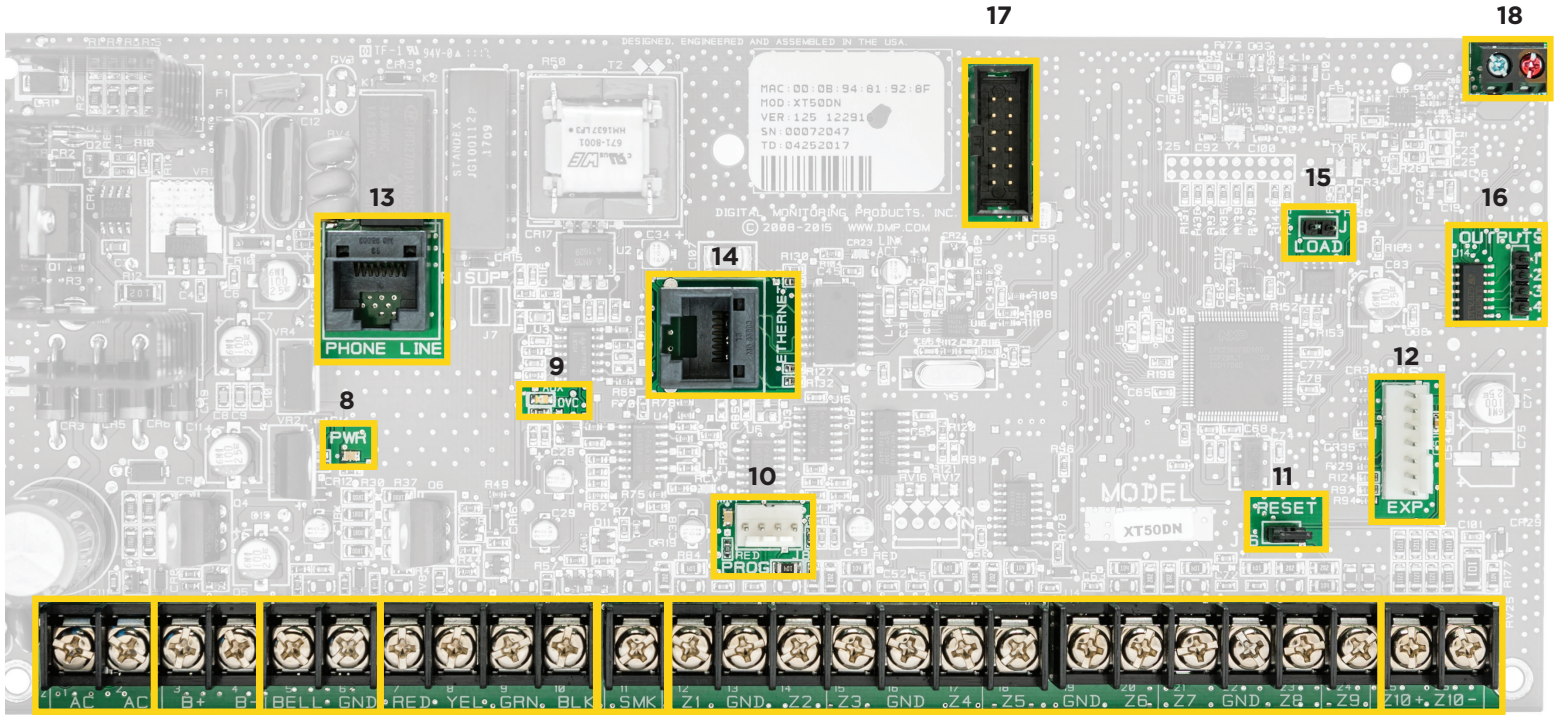


XT50 Panel Diagram Handout



- | | | |
|--|--|--|
| <p>1. _____</p> <ul style="list-style-type: none"> • 16.5 VAC • 18 - AWG Wire <p>2. _____</p> <ul style="list-style-type: none"> • Earth Ground connects to B- • 11.9 volts = low battery • 10.2 volts = battery cutoff • 12.6 volts = clears the low battery <p>3. _____</p> <ul style="list-style-type: none"> • 12 VDC Bell Output <p>4. _____</p> <ul style="list-style-type: none"> • Red - Positive 12 VDC • Yellow - Data In • Green - Data Out • Black - Ground | <p>5. _____</p> <ul style="list-style-type: none"> • 12 VDC Resettable Power • SMK - Positive 12 VDC <p>6. _____</p> <ul style="list-style-type: none"> • 1k - 2.2k EOL <p>7. _____</p> <ul style="list-style-type: none"> • 3.3k EOL <p>8. _____</p> <ul style="list-style-type: none"> • 12 VDC Resettable Power <p>9. _____</p> <ul style="list-style-type: none"> • Indicates overcurrent on Keypad Bus <p>10. _____</p> <ul style="list-style-type: none"> • Keypad Bus Data | <p>11. _____</p> <p>12. _____</p> <p>13. _____</p> <p>14. _____</p> <ul style="list-style-type: none"> • RJ 45 Ethernet <p>15. _____</p> <ul style="list-style-type: none"> • Used for updating panels using the model 401 <p>16. _____</p> <ul style="list-style-type: none"> • Open Collector Outputs <p>17. _____</p> <p>18. _____</p> |
|--|--|--|

Notes

6
AREAS

8
KEYPADS

7 WIRELESS
KEYPADS

20 CUSTOM
ACTIONS

8
WIRELESS
OUTPUTS
REMOTES OR
SIRENS

COMMERCIAL
BURGLARY

OPTIONAL
DIALER

CELLULAR
LTE
TECHNOLOGY

WI-FI

EVENT MEMORY

XT30 ... 100
XT50 ... 200

17

XT30
OPENING AND CLOSING
SCHEDULES

16
CHARACTER
NAMES

FOR USER, ZONE, AREA, PROFILES,
SCHEDULES, AND GROUP NAMES

10 | 100
NETWORK

XT30 ... 30
XT50 ... 99

**** USER
CODES

Virtual Keypad[™]
FOR IOS AND ANDROID

VirtualKeypad.com

COMPLIANCE UL, CSFM

FAST PROGRAMMING

4
OUTPUTS

SYSTEM TYPE

HOME SLEEP AWAY

AREAS ALL PERIMETER

TYPE OF
POWER

500MA AUX

1.5 AMPS
ON BELL

DMP 2-WAY
WIRELESS
COMPATIBILITY

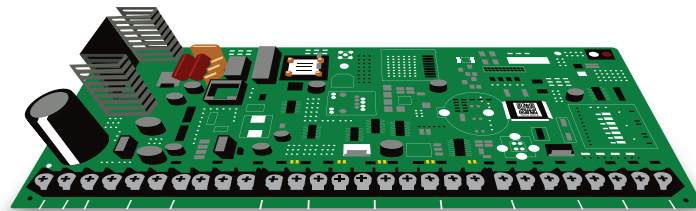
COMMUNICATION:
DUAL
REPORTING

140
Z-WAVE
DEVICES SUPPORTED

Z-WAVE
FAVORITES
PER SYSTEM

20

25 Z-WAVE DEVICES
PER FAVORITE



DESIGNED, ENGINEERED AND MANUFACTURED BY

XT30 ... 10 HARD-WIRED ZONES

XT50 ... 10 HARD-WIRED ZONES

32 EXPANSION ZONES
WIRED OR WIRELESS

32 EXPANSION ZONES
WIRED OR WIRELESS

16 ADDITIONAL WIRELESS ONLY ZONES

Tech APP[™]
AUTOMATIC PANEL PROGRAMMING